

# 2L EV Incandescent Luminaires

## Factory Sealed

Cl. I, Div. 1 and 2, Groups A,B,C,D – Pendant Mount  
 Cl. I, Div. 1 and 2, Groups B,C,D – Ceiling and Bracket Mount  
 Wet Locations  
 NEMA 3,3R

### Application:

- EV292 Series luminaires are used:
- to provide incandescent lighting in locations made hazardous due to the presence of hydrogen, gases or vapors of an equivalent hazard, such as manufactured gas.
  - hydrogen areas of process industries, missile bases where hydrogen fuel is used and gas manufacturing plants.
  - in areas of lesser hazard than indicated above.
  - EVA292 pendant mount luminaire is also suitable for use in locations made hazardous due to the presence of acetylene.

### Features:

- Flametight threaded joints – no external seal needed
- Easy to assemble and relamp
- Shock absorbing receptacle
- Gasket seals out dirt and liquids
- Positive locking of globe holder
- Heat and impact resistant globe
- Inner reflector eliminates upward spill light
- Lightweight
- Corrosion Resistant
- Dome and 30° angle reflectors available

### Standard Materials:

- Globes – heat and impact resistant glass
- Luminaire and bracket arm – copper-free aluminum
- Reflectors – *Krydon*® fiberglass-reinforced polyester
- Back box – *Feraloy*® iron alloy

### Standard Finishes:

- Aluminum – epoxy powder coat
- *Krydon* – high reflectance white
- *Feraloy* – electrogalvanized and aluminum acrylic paint

### Size Ranges:

- 3/4" conduit hub

### Capacity Ranges:

- 300 watt, PS-30 medium base lamps

### Certifications and

### Compliances:

- NEC/CEC: Class I, Divisions 1 and 2, Groups A,B,C,D – pendant mount
- Class I, Divisions 1 and 2, Groups B,C,D – ceiling and bracket mount
- UL Standard: 844
- CSA Standard: C22.2 No. 137

### Temperature Performance

### Data:

Style	Class I UL	Ambient Temp. °C	Supply Wire °C
Pendant	T3A	25/40	150°C
Ceiling	T3A	25/40	150°C
Bracket	T3A	25/40	150°C

NOTE: Photometric curves and data are the same as shown for EV Groups C, D series.



### Pendant style with RD725 dome reflector

Style	Max. Lamp Size
Pendant	300 watt, PS-30 (medium base)

### Pendant style with RA725 30° angle reflector

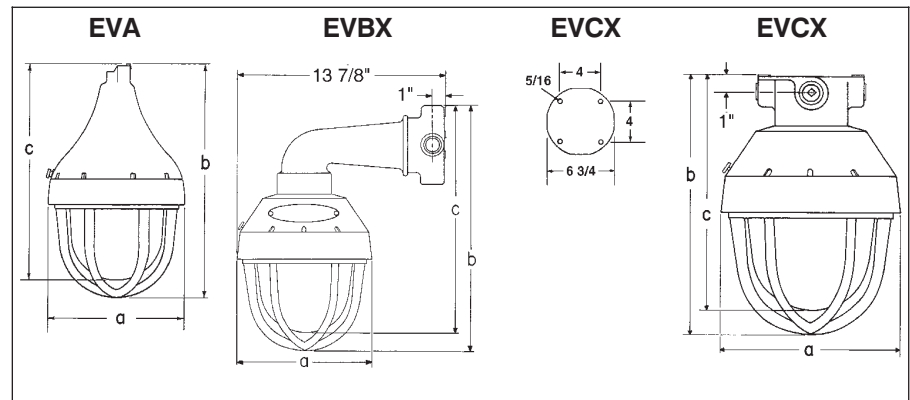
Without Reflector Cat. #	Hub Size
EVA292	3/4"

### Pendant style without reflector

Dome Reflector Cat. #	30° Angle Reflector Cat. #
RD725	RA725

Style	Max. Lamp Size	With Guard	Hub Size	Without Reflector Cat. #	Dome Reflector Cat. #	30° Angle Reflector Cat. #
Ceiling	300 watt, PS-30 (medium base)	With Guard	3/4"	EVCX292	RD725	RA725
Bracket	300 watt, PS-30 (medium base)	With Guard	3/4"	EVBX292	Not Applicable	

### Dimensions



	EVA	EVBX	EVCX	Reflector Diameter Type
a	8 7/8"	8 7/8"	8 7/8"	Dome 16"
b	16 3/8"	18 1/8"	14 3/8"	30° Angle 16"
c	14 7/8"	16 5/8"	12 7/8"	